

USER GUIDE MANUAL

DCT700

One-way Application





Graphical symbols and supplemental warning marking locations on bottom of terminal.

WARNING

TO REDUCE THE RISK OF FIRE OR ELECTRIC SHOCK HAZARD, DO NOT EXPOSE THIS APPLIANCE TO RAIN OR MOISTURE.

CAUTION

TO PREVENT ELECTRICAL SHOCK, DO NOT USE THIS (POLARIZED) PLUG WITH AN EXTENSION CORD, RECEPTACLE, OR OTHER OUTLET UNLESS THE BLADES CAN BE FULLY INSERTED TO PREVENT BLADE EXPOSURE.



The lightning flash with arrowhead symbol, within an equilateral triangle, is intended to alert the user to the presence of uninsulated “dangerous voltage” within the product’s enclosure that may be of sufficient magnitude to constitute a risk of electric shock to persons.



The exclamation point, within an equilateral triangle, is intended to alert the user to the presence of important operating and maintenance (servicing) instructions in the literature accompanying the appliance.

Product identification and supply rating is provided on the label found on the bottom of the unit.

This installation should be made by a qualified service person and should conform to all local codes.

REPAIRS

If you find the unit in need of repair, contact your system operator for repair or replacement.

NOTE TO SYSTEM INSTALLER

This reminder is provided to call the system installer's attention to Article 820-40 of the NEC that provides guidelines for proper grounding and, in particular, specifies that the cable ground shall be connected to the grounding system of the building, as close as possible to the point of cable entry as practical.

IMPORTANT SAFETY INSTRUCTIONS

- Read these instructions.
- Keep these instructions.
- Heed all warnings.
- Follow all instructions.
- Do not use this apparatus near water.

- Clean only with dry cloth.
- Do not block any ventilation openings. Install in accordance with the manufacturers instructions.
- Do not install near any heat sources such as radiators, heat registers, stoves, or other apparatus (including amplifiers) that produce heat.
- Do not defeat the safety purpose of the polarized or grounding-type plug. A polarized plug has two blades with one wider than the other. A grounding type plug has two blades and a third grounding prong. The wide blade or the third prong is provided for your safety. If the provided plug does not fit into your outlet, consult an electrician for replacement of the obsolete outlet.

- Protect the power cord from being walked on or pinched particularly at plugs, convenience receptacles, and the point where they exit from the apparatus.
- Only use attachments/accessories specified by the manufacturer.
- Unplug this apparatus during lightning storms or when unused for long periods of time.
- Refer all servicing to qualified service personnel. Servicing is required when the apparatus has been damaged in any way, such as the power-supply cord or plug is damaged, liquid has been spilled or objects have fallen into the apparatus, the apparatus has been exposed to rain or moisture, does not operate normally, or has been dropped.

IMPORTANT SAFETY CONSIDERATIONS

Be sure to follow these requirements during transportation and installation.

The plug is the main disconnect device. It shall remain readily accessible and operable.

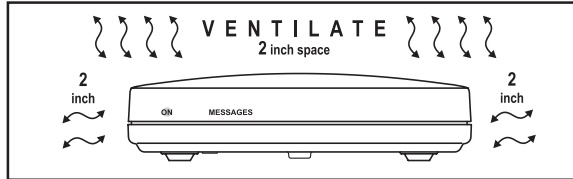
The apparatus shall not be exposed to dripping or splashing and no objects filled with liquids, such as vases, shall be placed on the apparatus.

DURING TRANSPORTATION TO THE SUBSCRIBER HOME

Transport the cable terminal in its shipping box or an equally padded container.

Do not expose the terminal to rain or moisture.

DURING INSTALLATION



- Do not place the cable terminal in an enclosed area where the cooling vents are blocked or impede the flow of air through the ventilation openings.
- Install the terminal so that its position does not interfere with its proper ventilation. For example, do not place the terminal on a bed, sofa, rug, or similar surface that could block the ventilation openings.
- Install the terminal away from heat sources such as radiators, heat registers, and stoves. Installation of the terminal near consumer

electronics devices, such as stereo receiver/amplifiers and televisions, is permitted as long as the air surrounding the terminal does not exceed 40° C (104° F).

- Place the terminal on a flat surface not prone to vibration or impact.
- Do not install the terminal in an area where condensation occurs.
- To prevent the temporary loss of guide data and cause a temporarily non-responding terminal, do not plug the AC power cord into a switched power outlet.

FCC COMPLIANCE

Note: This equipment has been tested and found to comply with the limits for a Class B digital device, pursuant to part 15 of the FCC Rules. These limits are designed to provide reasonable protection against harmful interference in a

residential installation. This equipment generates uses and can radiate radio frequency energy and, if not installed and used in accordance with the instructions, may cause harmful interference to radio communications. However, there is no guarantee that interference will not occur in a particular installation. If this equipment does cause harmful interference to radio or television reception, which can be determined by turning the equipment off and on, the user is encouraged to try to correct the interference by one or more of the following measures:

- Reorient or relocate the receiving antenna.
- Increase the separation between the equipment and receiver.
- Connect the equipment into an outlet on a circuit different from that to which the receiver is connected.

- Consult the dealer or an experienced radio/TV technician for help.

Caution: Changes or modifications not expressly approved by Motorola for compliance could void the user's authority to operate the equipment.

This device complies with part 15 of the FCC Rules. Operation is subject to the following two conditions: (1) This device may not cause harmful interference, and (2) this device must accept any interference received, including interference that may cause undesired operation.

FCC DECLARATION OF CONFORMITY

Motorola Inc., Connected Home Solutions, 101 Tournament Drive, Horsham, PA 19044, 1-215-323-1000, declares that the DCH70 receiver complies with 47 CFR Parts 2 and 15 of the FCC rules as a Class B digital device.

Canada Industry Canada (IC)

This Class B digital device complies with Canadian ICES-003.

Cet appareil numérique de la classe B est conforme à la norme NMB-003 du Canada.

US PATENT

4476584, 4546387, 4575755, 4621285, 4558464,
4603349, 4613901, 4634808, 4712238, 4792973,
4864615, 4933898, 5083293, 5144664, 5111504,
5406228, 5497112, 5485577, 5091782, 5068724,
5093720, 5376968, 5345408, 5565922, 5517250,
5566089, 4908859, 5396518, 5511096, 5511082,
4631603, 4819098, 4577216, 5363408

© 2007 Motorola, Inc. All rights reserved. No part of this publication may be reproduced in any form or by any means or used to make any derivative work (such as translation, transformation, or adaptation) without written permission from Motorola, Inc.

All rights reserved. No part of this publication may be reproduced in any form or by any means or used to make any derivative work (such as translation, transformation or adaptation) without written permission from Motorola, Inc.

Motorola reserves the right to revise this publication and to make changes in content from time to time without obligation on the part of Motorola to provide notification of such revision or change. Motorola provides this guide without warranty of any kind, either implied or expressed, including but not limited to, the implied warranties of merchantability and fitness for a particular purpose. Motorola may make improvements or

changes in the product(s) described in this manual at any time.

MOTOROLA and the Stylized M Logo are registered in the US Patent & Trademark Office. Manufactured under license from Dolby Laboratories. "Dolby" and the double-D symbol are registered trademarks of Dolby Laboratories. All other product or service names are the property of their respective owners. MediaCipher is a registered trademark of Motorola, Inc.



CONTENTS

1 Introduction	1
Front Panel	2
Rear Panel	3
Using the Remote Control	5
Installing Batteries	9
Basic Operation	11
Turning Power On and Off	11
Changing Channels	11
Electronic Program Guide	12
Audio/Video Connections	13
Connecting Your DCT700	15
Standard TV Cabling	15

CONTENTS

Standard VCR Cabling.....	16
Composite Baseband.....	17
Composite VCR Cabling	18
Stereo Cabling Diagram (VCR to Stereo)	19
Stereo Cabling Diagram (TV to Stereo).....	20
Troubleshooting.....	21



1 INTRODUCTION

The DCT700:

- Supports services such as an EPG
- Reclaims bandwidth allocated to analog channels
- Combats analog piracy
- Offers compatibility with MediaCipher conditional access technology
- The DCT700 requires a remote control to operate (remote control sold

Congratulations on receiving the DCT700 digital consumer terminal, one of the most advanced interactive digital cable terminals available today. It's simple to set up and easy to operate.

The DCT700 can provide an Electronic Program Guide (EPG) menu that allows you to conveniently select and view programs. You can also purchase Pay-Per-View special events and recent movies, or Video on Demand. Video on Demand is similar to renting a video, including the ability to pause, rewind, and fast-forward.

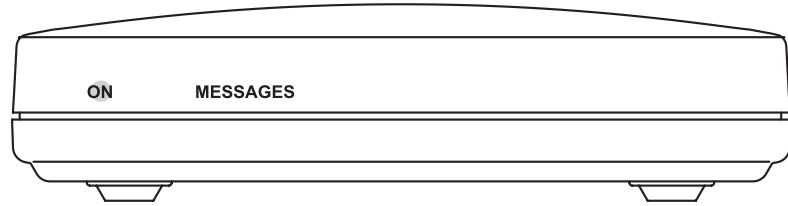
This guide introduces you to the features and operation of the DCT700. Access to the DCT700 features is gained through the electronic program guide.

To get the most out of your DCT700, be sure to read your electronic program guide instruction manual and remote control User Guide.

1 INTRODUCTION

Front Panel

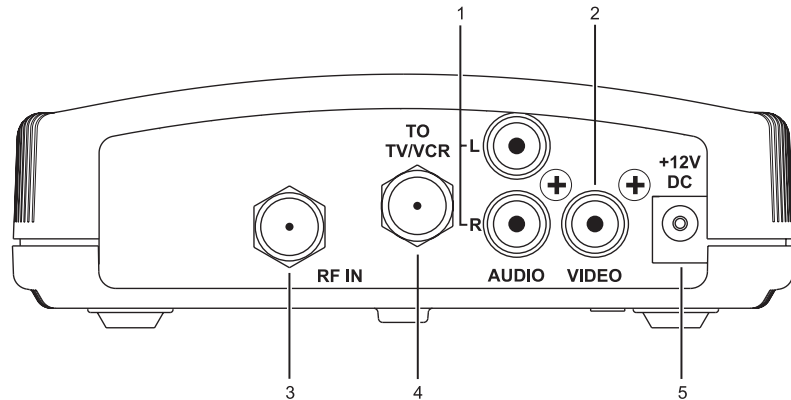
The DCT700 is controlled by your remote control (sold separately). The front panel has two LED displays: one to indicate the unit is turned on and one to indicate a message is present.



1 INTRODUCTION

Rear Panel

Before you begin installing the DCT700, take a moment to become familiar with the rear panel connections. The rear panel includes connectors for system cabling and a power cord to connect the DCT700 to an electrical power outlet. For cabling diagrams, see “Connecting Your DCT700”.

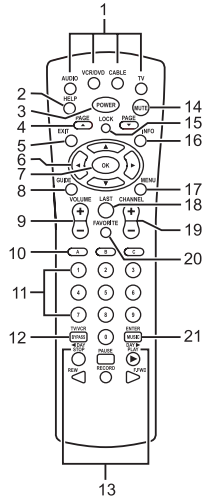


1 INTRODUCTION

	Item	Description
1	AUDIO OUT	Left/right audio outputs to connect the DCT700 to a TV, VCR, or A/V receiver.
2	VIDEO	Composite video output to connect the DCT700 to a TV, VCR, or A/V receiver.
3	RF IN	A coaxial input that is connected to the cable wall outlet, see Connecting the DCT700.
4	TO TV/VCR	A coaxial output to connect the DCT700 to the TV or VCR.
5	Power	This is the DC power connection.



USING THE REMOTE CONTROL



Use the remote control to operate the DCT700, TV, and VCR.

Your remote control may differ from the one illustrated here.

For information on operating and programming your remote control, refer to the remote control User Guide supplied by your service provider.

The table following this drawing describes the functions of the remote control. Some of the features described in the table may not be available. Check with your service provider to determine which features are being offered in your area.

USING THE REMOTE CONTROL

	Key	Description
1	AUDIO, VCR/DVD, CABLE, OR TV	Selects a device to control. The selected mode will remain active until you press another key.
2	HELP	Displays the help screen.
3	POWER	Turns the currently selected device on or off.
4	PAGE ▲ PAGE ▼	Pages through menu screens and the program guide.
5	EXIT	Exits a menu or program guide.
6	◀ ▲ ▶ ▼ CURSOR	Moves the cursor around the program guide and menu screens.
7	OK	Selects menu options, Pay-Per-View events or programs from the program guide.

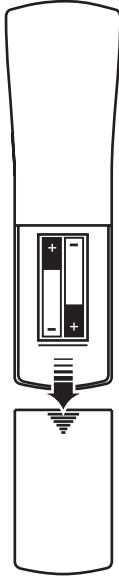
USING THE REMOTE CONTROL

8	GUIDE	Displays the program guide.
9	VOLUME + VOLUME -	Increases or decreases the volume of the VCR, TV, or audio device. The device must be selected before you can increase or decrease the volume.
10	A B C	Functionality is determined from services offered by your cable TV service provider.
11	NUMBER KEYS	Use to directly select a channel.
12	TV/VCR or BYPASS	When in VCR mode, toggles between television and VCR. Bypass is not available.
13	STOP, PAUSE, PLAY, REW, RECORD, F.FWD	Controls the VCR/DVD or CD player.

USING THE REMOTE CONTROL

14	MUTE	Toggles the sound on and off.
15	LOCK	Use to limit viewing of selected programs or to view the Pay-Per-View menu.
16	INFO	Displays the current channel and program information (not supported by all applications).
17	MENU	Displays the main menu.
18	LAST	Recalls the last channel or goes back one screen in the menu.
19	CHANNEL + CHANNEL -	Changes the channels by moving up or down.
20	FAVORITE	Displays preset favorite cable channels.
21	ENTER/MUSIC	Displays digital music channel menus. On some TV models press to enter channels.

USING THE REMOTE CONTROL



Installing Batteries

Before you can use the remote control, you must install two AA (1.5-volt) alkaline batteries (provided with your Motorola universal remote control):

1. Slide open the battery door on the back of the remote control.
2. Insert the batteries in the direction indicated on the inside of the battery compartment.

Batteries installed incorrectly can cause battery leakage and corrosion that will damage the remote control.

3. Slide the battery door closed until it snaps into place.

Point the remote control at the DCT700, and then press POWER. If the DCT700 does not turn on, check the orientation of the batteries or replace with new batteries. Your remote control may be different from the Motorola DRC450 Universal Remote Control illustrated here. Refer to the remote control User Guide for details on installing batteries.



BASIC OPERATION

NOTE: The DCT700 requires a remote control to operate.

Turning Power On and Off

To turn the DCT700 on or off, be sure it is in cable mode by pressing cable on your remote control and then press power.

Changing Channels

Be sure the remote control is in cable mode and enter the number of the channel you want to tune using the numeric keys, or press channel + or – on the remote control to step through the channel selection.

BASIC OPERATION

Electronic Program Guide

The electronic program guide displays information about TV programs and enables you to access features such as Parental Control or Pay-Per-View. Electronic program guides vary with each service provider. Reference the electronic program guide instruction manual for detailed instructions.



AUDIO/VIDEO CONNECTIONS

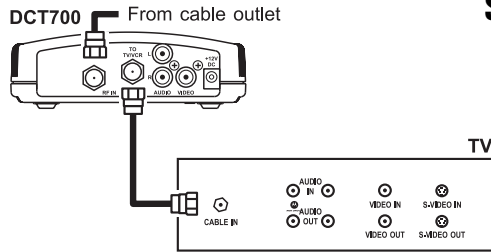
NOTE: It is important to remember not to place anything on top of the DCT700 and to provide for adequate ventilation to prevent overheating.

Before you begin to hook up your DCT700, review the following:

- For basic cable connections, use 75-ohm coaxial cables equipped with F-type connectors. You can find coaxial cables in your local electronics store.
- For audio or video outputs, use cables equipped with RCA-type connectors.
- Disconnect power from the DCT700 before connecting or changing cable connections.
- Do not place anything on top of the DCT700, especially other home video components.



CONNECTING YOUR DCT700



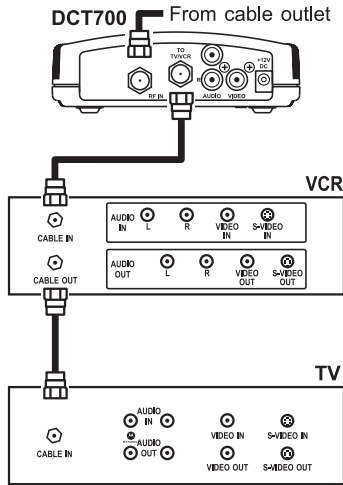
Standard TV Cabling

Use 75-ohm coaxial cables to connect your DCT700 to a TV. This is the most common cable connection, and it provides all of the basic features of the DCT700.

If you are connecting the coaxial to tv/vcr connector on the DCT700 to the coaxial cable in connector on the TV, you must tune your TV to channel 3 or 4.

The illustrated connections will not provide stereo. Connect the DCT700 using RCA baseband connectors to receive stereo (illustrated later in this section).

CONNECTING YOUR DCT700



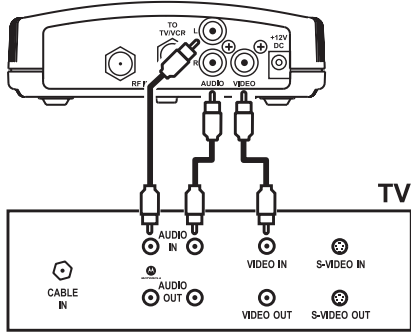
Standard VCR Cabling

To connect your VCR, you will need 75-ohm coaxial cables. The illustrated VCR connection enables you to record the program you are watching, including Pay-Per-View events. You can also view videotapes just as you do now.

The illustrated connections will not provide stereo. Connect the DCT700 using RCA baseband connectors to receive stereo (illustrated later in this section).

CONNECTING YOUR DCT700

DCT700

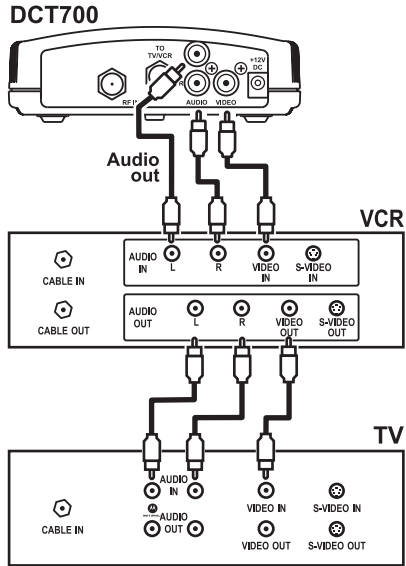


In these illustrations the baseband connectors on entertainment components are labeled r for right audio, l for left audio, and v for video.

Composite Baseband

Connecting the DCT700 using the RCA-type baseband outputs enables you to experience stereo and Dolby Surround® sound when available.

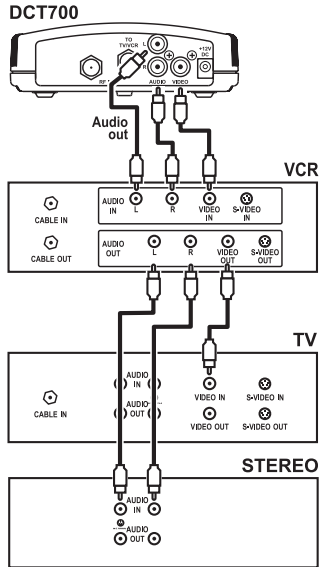
CONNECTING YOUR DCT700



Composite VCR Cabling

This diagram illustrates how to connect the DCT700 to a VCR using the audio connectors on the VCR.

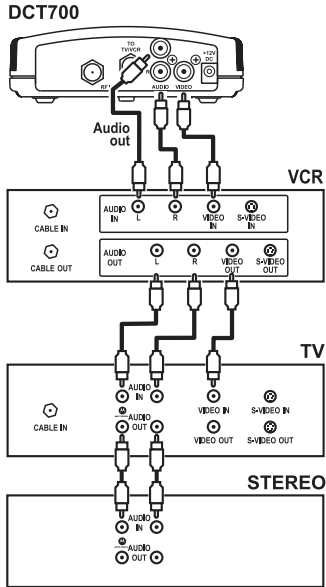
CONNECTING YOUR DCT700



Stereo Cabling Diagram (VCR to Stereo)

This diagram illustrates how to connect the DCT700 to a stereo using the audio connectors on the VCR. The VCR sound is played through the stereo.

CONNECTING YOUR DCT700



Stereo Cabling Diagram (TV to Stereo)

This configuration provides for the TV sound to play through the stereo.



TROUBLESHOOTING

Before calling your service provider, review the troubleshooting guide. This information is to help you quickly solve a problem. If your problem still exists, contact your service provider.

Problem	Possible Solution
No sound	<p>Press mute on the remote control to restore the volume level.</p> <p>Check that the stereo is set to the proper input source.</p> <p>Turn on your VCR.</p> <p>Make sure the TV or stereo volume is set to an appropriate level.</p>

TROUBLESHOOTING

No picture	Check to be sure that all cables are connected properly (hand-tighten if necessary). If connected through the baseband RCA video connection, make sure the cables are connected properly. If you are watching TV using your VCR, be sure your VCR is powered and running.
Picture or sound is noisy on one channel	Reconnect the cable and hand-tighten if loose.
Sound from only one stereo speaker	Hand-tighten or reconnect the cables properly. Be sure wires are not frayed and plugs are not bent or broken.
No power	Reconnect the power cord. Be sure the DCT700 is plugged into an outlet that is always live.

TROUBLESHOOTING

Remote control does not work

Press CABLE on the remote control to ensure the remote control is in cable mode.

Change the batteries in your remote control according to the instructions in the section, "Installing Batteries."

Be sure that nothing is on the DCT700 or blocking a clear line of sight between it and the remote control.



MOTOROLA

Motorola, Inc.
101 Tournament Drive
Horsham, PA 19044 U.S.A.

<http://www.motorola.com>

547552-001-a
01/08